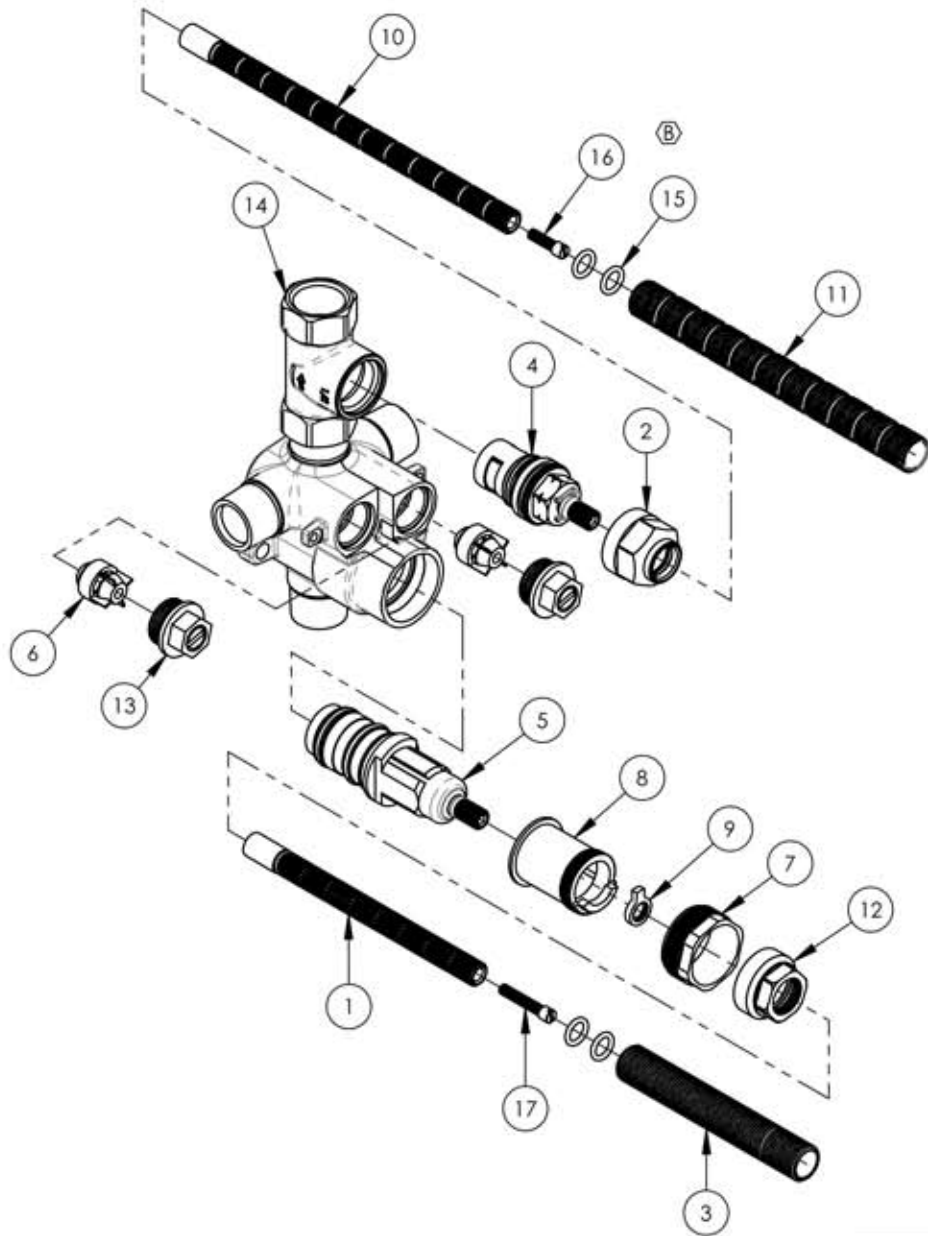


A

B

C

D



ITEM NO.	PART NUMBER	DESCRIPTION	QTY.
1	10054	STEM EXTENSION, 6" LONG 20PT INT. TO 16PT LONG EXT. BROACH	1
2	10058	NUT, ADAPTOR CART. TO THREADALL, M24X1.0 - 9/16"-20UN	1
3	10209	SHANK, NIPPLE THREAD ALL 9/16"-20UN WITH .433"ID	1
4	10257	CARTRIDGE, VALVE 1/2"G W/ M24X1.0 & M4 20PT COLD	1
5	10625	CARTRIDGE VALVE, MINI THERMO	1
6	11197	CHECK VALVE, MINI THERMO	2
7	11318	RETAINER NUT FOR MINI THERM CARTRIDGE	1
8	11319	CARTRIDGE RETAINER SLEEVE, MINI THERM	1
9	11320	SAFETY AND MECHANICAL STOP, MINI THERM	1
10	11416	STEM EXTENSION, 20PT TO 16PT, XXL	1
11	11498	ALL THREAD, EXTENSION, 9/16"-20, 5-9/16"L, XXL	1
12	11617	NUT, SHORT ADAPTOR ALL-THREAD	1
13	2-130	SHUTOFF NUT, MINI THERMO	2
14	2-179	SUB ASSY, MINI THERM W/ 1/2" SHUT OFF VALVE	1
	10624	BODY, MINI THERMOSTATIC	1
	10217	SHUTOFF BODY, 1/2"G TEE 1/2"NPT	1
15	90011	O-RING, 5/16"ID X 7/16"OD X 1/16"THK, AS-568-011	4
16	92157	SCREW, SMALL HD M4X0.7 - 1/2"L	1
17	92335	SCREW, FLAT HEAD, M4X0.7 - 1" OVERALL LENGTH	1

E

A4	B	UPDATED STEM EXTENSIONS & THERMOSTATIC CARTRIDGE	6/8/2018	MAF
ZONE	REV.	DESCRIPTION	DATE	APPROVED
REVISIONS				

1261 LOGAN AVENUE
COSTA MESA, CALIFORNIA 92626
PHONE: 714.361.4800
FAX: 714.617.3120

PHYLORICH®

Defining Luxury Since 1959

PROPRIETARY AND CONFIDENTIAL

THE INFORMATION CONTAINED IN THIS DRAWING IS THE SOLE PROPERTY OF RKS MANUFACTURING. ANY REPRODUCTION IN PART OR AS A WHOLE WITHOUT THE WRITTEN PERMISSION OF RKS MANUFACTURING IS PROHIBITED.

NEXT ASSY		USED ON	INTERPRET GEOMETRIC DIMENSIONING & TOLERANCING IN ACCORDANCE WITH ASME Y14.5-2009 & ASME Y14.41-2003 STANDARDS. UNLESS OTHERWISE SPECIFIED, DIMENSIONS ARE IN INCHES. TOLERANCES ARE:		
APPLICATION			FRACTIONS ±1/64"	DECIMALS X.X: ±.1 X.XX: ±.01 X.XXX: ±.005	ANGULAR ±.5°
MATERIAL			NAME	DATE	MINI THERMOSTATIC VALVE W/ VOLUME CONTROL SIZE A ASM/PRT NO. 1-122 REV B
FINISH	DRAWN		11/11/2014		
DO NOT SCALE DRAWING			CHECKED	SCALE: 1:2.75 WEIGHT: lbs. SHEET 1 OF 2	

5

4

3

2

1